



Electric Powered Forklifts

Capacity Range 1,500 - 2,000kg 3 Wheel

B15T -5
B18T -5
B20T -5

MAST SPECIFICATIONS AND RATED CAPACITIES

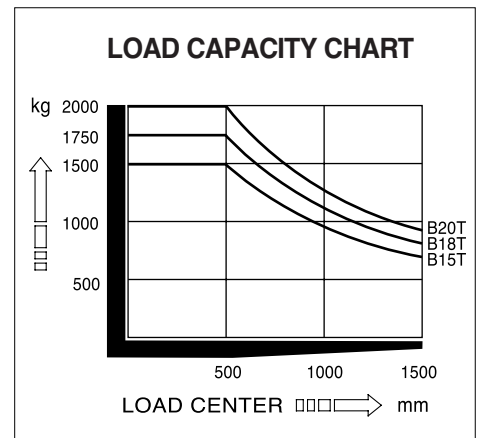
Truck Model	Mast Type	Maximum Fork Height mm	Fully Lowered Height mm	Fully Extended Height		Free Lift		Solid Soft Tire		Cushion Tire	
				With Load Backrest	W/O Load Backrest	With Load Backrest	W/O Load Backrest	Tilt Angle	Load Capacities	Tilt Angle	Load Capacities
				mm	mm	mm	mm	FWD/BWD deg	LC500mm kg	FWD/BWD deg	LC500mm kg
B15T	STD	3000	2000	4045	3600	130	130	5/7	1500	5/7	1500
	STD	3300	2150	4345	3900	130	130	5/7	1500	5/7	1500
	STD	3500	2250	4545	4100	130	130	5/7	1500	5/7	1500
	STD	3700	2350	4745	4300	130	130	5/7	1500	5/7	1500
	STD	4000	2550	5045	4600	130	130	5/7	1500	5/7	1500
	STD	4500	2800	5545	5100	130	130	5/7	1425	5/7	1450
	FF	2700	1850	3745	3325	845	1265	5/5	1500	5/5	1500
	FF	3000	2000	4045	3625	995	1415	5/5	1500	5/5	1500
	FF	3300	2150	4345	3925	1145	1565	5/5	1500	5/5	1500
	FFT	4000	1880	5050	4630	875	1295	5/5	1450	5/5	1475
	FFT	4500	2045	5545	5125	1040	1460	5/5	1400	5/5	1425
	FFT	4750	2130	5795	5375	1125	1545	5/5	1350	5/5	1375
FFT	5000	2245	6045	5625	1240	1660	5/5	1300	5/5	1350	
FFT	5500	2480	6550	6130	1475	1895	5/5	975	5/5	1275	
FFT	6000	2645	7045	6625	1640	2060	5/5	650	5/5	1225	
B18T	STD	3000	2000	4045	3600	130	130	5/7	1750	5/7	1750
	STD	3300	2150	4345	3900	130	130	5/7	1750	5/7	1750
	STD	3500	2250	4545	4100	130	130	5/7	1750	5/7	1750
	STD	3700	2350	4745	4300	130	130	5/7	1750	5/7	1750
	STD	4000	2550	5045	4600	130	130	5/7	1750	5/7	1750
	STD	4500	2800	5545	5100	130	130	5/7	1650	5/7	1650
	FF	2700	1850	3745	3325	845	1265	5/5	1750	5/5	1750
	FF	3000	2000	4045	3625	995	1415	5/5	1750	5/5	1750
	FF	3300	2150	4345	3925	1145	1565	5/5	1750	5/5	1750
	FFT	4000	1880	5050	4630	875	1295	5/5	1675	5/5	1700
	FFT	4500	2045	5545	5125	1040	1460	5/5	1600	5/5	1650
	FFT	4750	2130	5795	5375	1125	1545	5/5	1525	5/5	1625
FFT	5000	2245	6045	5625	1240	1660	5/5	1400	5/5	1575	
FFT	5500	2480	6550	6130	1475	1895	5/5	1025	5/5	1500	
FFT	6000	2645	7045	6625	1640	2060	5/5	700	5/5	1400	
B20T	STD	3000	2000	4050	3605	135	135	5/7	2000	5/7	2000
	STD	3300	2150	4350	3905	135	135	5/7	2000	5/7	2000
	STD	3500	2250	4550	4105	135	135	5/7	2000	5/7	2000
	STD	3700	2350	4750	4305	135	135	5/7	2000	5/7	2000
	STD	4000	2550	5050	4605	135	135	5/7	2000	5/7	2000
	STD	4500	2800	5550	5105	135	135	5/7	1950	5/7	2000
	FF	2700	1850	3750	3330	845	1265	5/5	2000	5/5	2000
	FF	3000	2000	4050	3630	995	1415	5/5	2000	5/5	2000
	FF	3300	2150	4350	3930	1145	1565	5/5	2000	5/5	2000
	FFT	4000	1880	5055	4635	875	1295	5/5	1950	5/5	2000
	FFT	4500	2045	5550	5130	1040	1460	5/5	1875	5/5	1975
	FFT	4750	2130	5800	5380	1125	1545	5/5	1825	5/5	1925
FFT	5000	2245	6050	5630	1240	1660	5/5	1800	5/5	1900	
FFT	5500	2480	6555	6135	1475	1895	5/5	1700	5/5	1800	
FFT	6000	2645	7050	6630	1640	2060	5/5	1575	5/5	1500	

Standard equipment

- 48 Volt electric chassis with AC system
- Battery connector
- Tires
- 3-section valve with 2-levers
- Seat
- 3300mm STD 2-stage mast
- Tilt cylinder (5 deg.fwd / 7 deg.back)
- Carriage
- Load backrest
- 900mm fork
- Without battery & charger

A standard chassis includes

- 48 Volt electrical system
- Oil-cooled Disc Brake
- Power steering
- AC(Alternative Current) control panel
- Tilt steering wheel
- 2 Front floodlights
- DC/DC converter



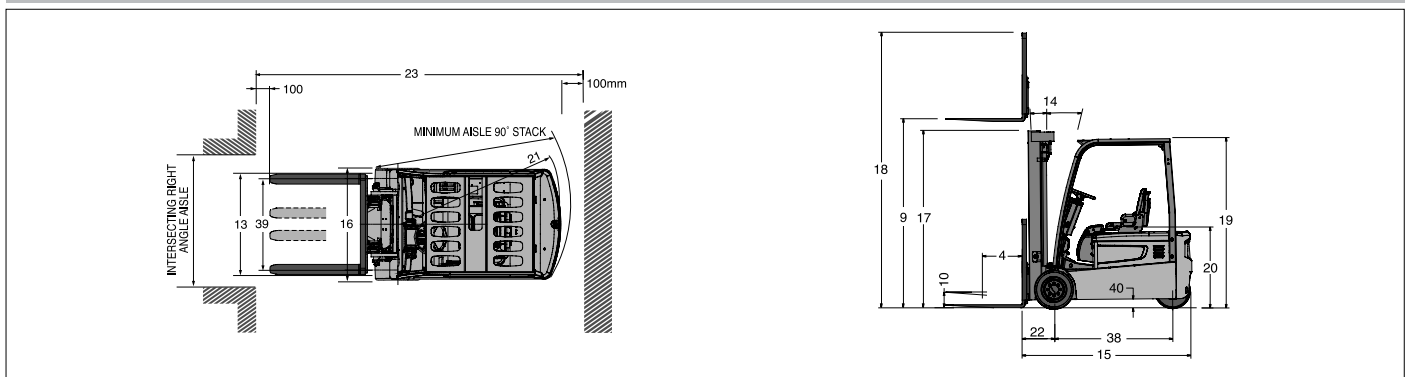
Note : These load capacities are based on the standard chassis without side shifter.

Specification values quoted in this catalog have been rounded.
Products and specifications are subject to improvement and change without notice.
Performance may vary due to operating conditions.
The performance shown represents nominal values obtained under typical operating conditions.

SPECIFICATIONS (48V AC TRUCK)

CHARACTERISTICS	2	Model			B15T	B18T	B20T
	3	Load Capacity	at rated load center	kg	1500	1750	2000
	4	Load Center		mm	500	500	500
	5	Power Type			Electric	Electric	Electric
	6	Operator Type			Driver Seated	Driver Seated	Driver Seated
	7	Tire Type	E : Solid Soft, C : Cushion		E, C	E, C	E, C
	8	Wheels (x=Driven)			2x / 2	2x / 2	2x / 2
	DIMENSIONS	9	Max. Fork Height	with STD 2-stage mast	mm	3300	3300
10		Free Lift		mm	130	130	135
12		Fork Carriage	ISO Class				
13		Forks	Thickness x Width x Length	mm	35 x 100 x 900	35 x 100 x 900	40 x 100 x 900
			Fork Spacing(Min / Max)	mm	240 / 905	240 / 905	240 / 905
14		Tilt of Mast	Forward / Backward	deg	5 / 7	5 / 7	5 / 7
15		Overall Dimensions	Length to Fork Face	mm	1868	2001	2006
16			Overall Width	mm	1090	1090	1119
17			Mast Lowered Height	mm	2150	2150	2150
18			Mast Extended Height	mm	4345	4345	4350
19			Overhead Guard Height	mm	2010	2010	2010
20	Seat Height		mm	919	919	919	
21	Turning Radius	Minimum outside	mm	1492	1625	1625	
22	Load Moment Center		mm	376	376	381	
23	Right Angle Stacking Aisle Width With Pallets 1200 x 800 / 1000 x 1200[L x W]		mm	3318 / 3194	3451 / 3327	3456 / 3332	
PERFORMANCE	24	Speed	Travel, Loaded / Unloaded	km/h	17.0 / 17.0	17.0 / 17.0	17.0 / 17.0
	25		Lifting, Loaded / Unloaded	mm/s	400 / 600	400 / 600	400 / 600
	26		Lowering, Loaded / Unloaded	mm/s	500 / 450	500 / 450	500 / 450
	28	Max, Drawbar Pull	Loaded	kg	1300	1300	1300
	30	Max, Gradeability	at 1.6 km/h, Loaded	%	26	25	24
WEIGHT	32	Total Weight	With minimum weight of battery	kg	3111	3236	3598
	33	Axle Load, Loaded	Front / Rear	kg	4054 / 557	4427 / 559	4969 / 629
	34	Axle Load, Unloaded	Front / Rear	kg	1526 / 1585	1592 / 1644	1722 / 1876
CHASSIS	35	Tires	Number of wheels (Front/Rear)		2 / 2	2 / 2	2 / 2
	36		Size, Front		18 x 7-8	18 x 7-8	200 x 50-10
	37		Size, Rear		15 x 4.5-8	15 x 4.5-8	16 x 6-8
	38	Wheel Base	Distance	mm	1264	1397	1397
	39	Tread Width	Front	mm	902	902	912
			Rear	mm	167	167	201
	40	Ground Clearance	Loaded	at lowest	mm	86	86
	41		at center of wheelbase	mm	100	100	
42	Brakes	Service			Hydraulic	Hydraulic	Hydraulic
		Parking			Mechanical	Mechanical	Mechanical
POWER TRAIN	45	Battery	Type		Lead-acid	Lead-acid	Lead-acid
			Voltage / Capacity(Max)	V/AH	48 / 440	48 / 510	48 / 585
			Minimum Weight	kg	700	800	1000
	47	Electric Motors	Drive Motor - 1Hour Rating	kW	5.0 x 2	5.0 x 2	5.0 x 2
	48		Hydraulic Motor - 20% Duty	kW	15.0	15.0	15.0
	54	Control Type		type	MOSFET Inverter	MOSFET Inverter	MOSFET Inverter
55	Transfer	Brake Type	type	ODB	ODB	ODB	
57	Relief Pressure	System	kpa	17600	19800	21550	
		Attachment	kpa	14000	14000	14000	

Dimensional drawings



Seoul Office : 22nd floor, Doosan Tower Bldg, Euljiro 6-Ga, Jung-Gu, Seoul, Korea.

Tel : 82-2-3398-8632 Fax : 82-2-3398-8619